

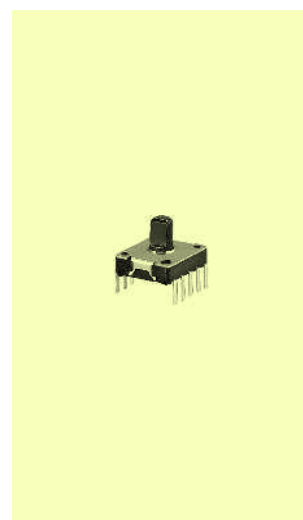
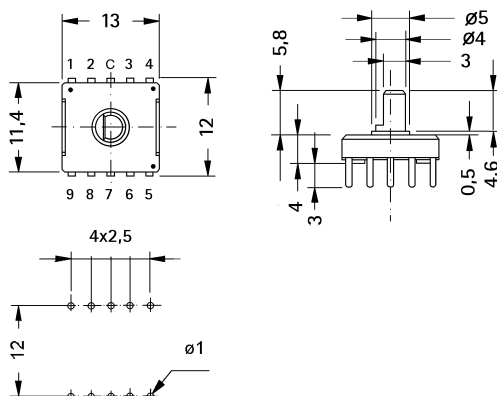


# Miniature Rotary Switches

## Specifications:

Contact rating:	16 V DC, 100 mA
Contact resistance:	< 50 mΩ
Insulation resistance:	> 100 MΩ at 500 V DC
Dielectric strength:	100 V, 50 Hz for the duration of 1 minute
Operating temperature:	-20 °C to +80 °C
Mechanical life:	minimum 10 000 operations
Contacts:	gold
Material:	case: PBT with glass fibre 30%; shaft: PA, flat
Angle between 2 positions:	40°, 9 positions
Mounting:	on pc-board
Contact timing:	non-shorting
Operating force:	250 ± 100 gf. cm
Soldering conditions:	max.: 3 sec, 260 °C

Models:	Poles
MRS 12 V – 19	1



## Circuit diagram:

